

DATA SHEET

35 FRAME PLUNGER PUMP



**Forged
Brass**

3545

**Stainless
Steel**

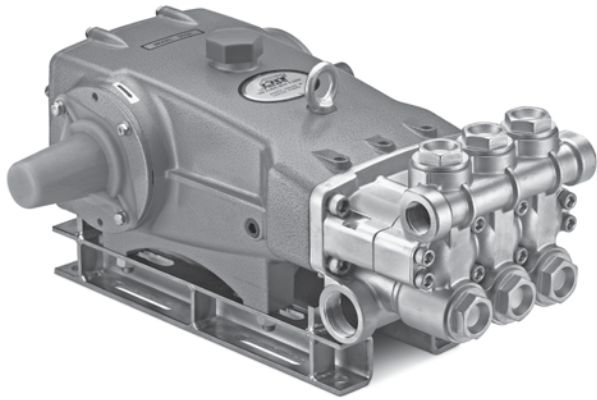
3541

**Stainless
Steel Flushed**

3541C

**Nickel Aluminum
Bronze**

3547



Model 3545 Shown
(Shaft protector included, mounting rails
sold separately)

SPECIFICATIONS	U.S. Measure	Metric Measure
Flow	45 gpm	170 lpm
Pressure Range	100 to 1000 psi	6.9 to 69 bar
Pump RPM*	765 rpm	765 rpm
Inlet Pressure Range	Flooded to 70 psi	Flooded to 4.8 bar
Max. Liquid Temperature	140° F	60° C
Above 130°F call Cat Pumps for inlet conditions and elastomer recommendations.		
Bore	1.772"	45 mm
Stroke	1.890"	48 mm
Crankcase Capacity	4.2 Qts.	4 l
Inlet Ports (2)	1-1/2" NPT(F)	1-1/2" NPT(F)
Flushing Ports (2) (3541C)	1/4" NPT(F)	1/4" NPT(F)
Discharge Ports (2)	1" NPT(F)	1" NPT(F)
Shaft Diameter	1.181"	30 mm
Pulley Mounting	Either Side	Either Side
Weight	139 lbs.	63 kg
Dimensions (3545)	23.86 x 18.11 x 9.72"	606 x 460 x 247 mm
Dimensions (3541/C, 3547)	24.33 x 18.11 x 9.72"	618 x 460 x 247 mm

*Pump minimum is 100 RPM.

FEATURES

- Triplex design delivers high efficiency and low pulsation.
- Durable dual V-Packings are lubricated and cooled by pumped liquid.
- Pre-set Lo-Pressure Seals provide secondary protection against external leaks and require no packing adjustments.
- Special high-density, polished, concentric plungers provide a true wear surface and extended seal life.
- Specially formulated Seals and V-Packings offer unmatched performance and extended life.
- Interchangeable inlet and discharge valves for easy servicing.
- Wet-end easily serviced without entering crankcase.
- Standard NBR seals with alternative options for temperature and chemical compatibility
 - FPM – .0110
 - EPDM – .0220

ELECTRIC HORSEPOWER REQUIREMENTS

FLOW		PRESSURE			PUMP RPM
		psi 800 bar 55	psi 900 bar 62	psi 1000 bar 69	
gpm	lpm				
45	170	24.7	27.8	30.9	765
40	151	22.0	24.7	27.4	680
35	132	19.2	21.6	24.0	595

$$\frac{\text{Rated gpm}}{\text{Rated rpm}} = \frac{\text{"Desired" gpm}}{\text{"Desired" rpm}}$$

$$\frac{\text{Determining the Required H.P.}}{\text{Hp (Electric Brake)}} = \frac{\text{gpm x psi}}{1460}$$

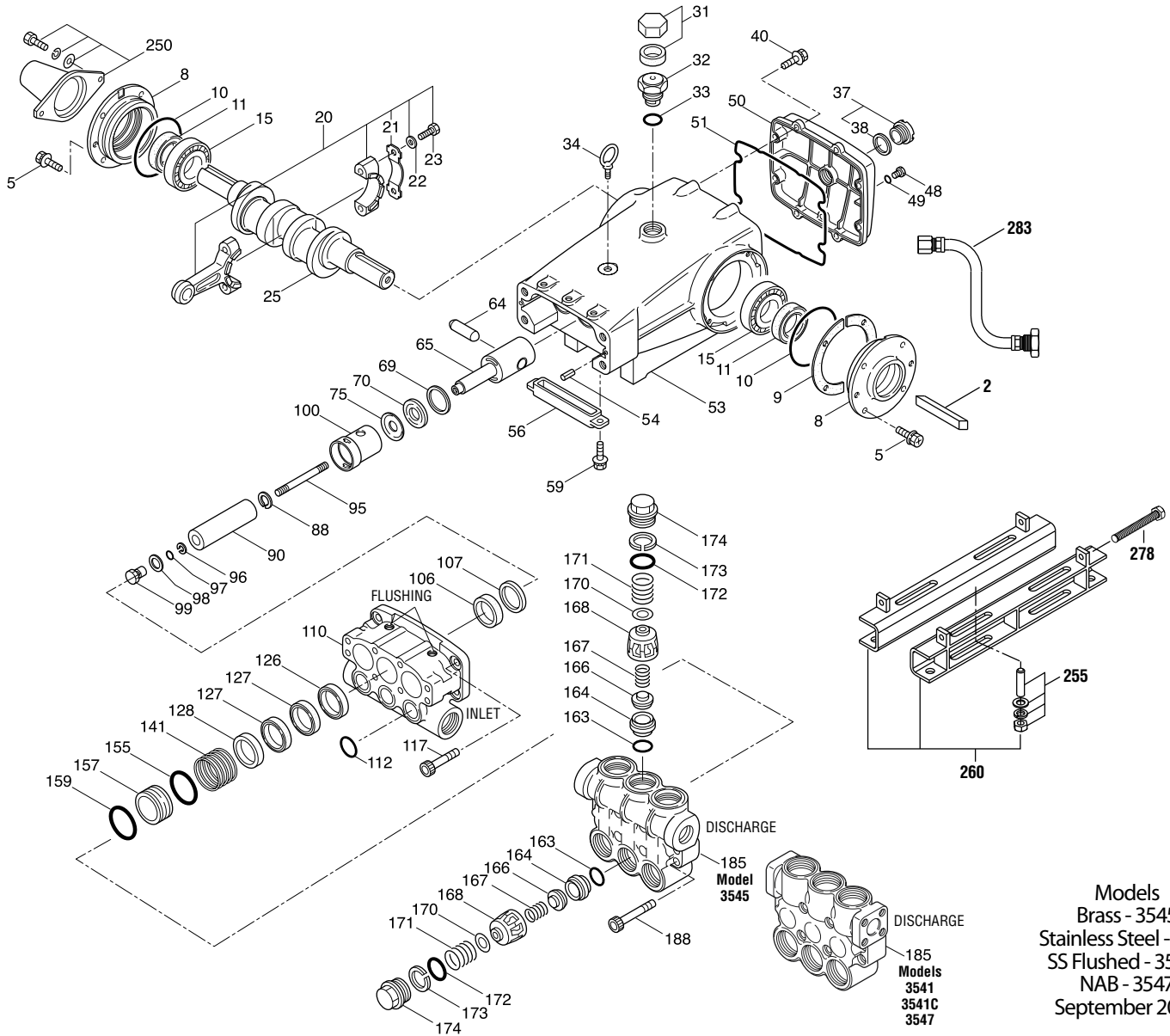
$$\frac{\text{Determining Motor Pulley Size}}{\text{Motor Pulley O.D. / Pump rpm}} = \frac{\text{Pump Pulley O.D.}}{\text{Motor rpm}}$$

See complete Drive Packages [Includes: pulleys, belts, hubs, key] Tech Bulletin 003. Refer to pump **Service Manual** for repair procedure and additional technical information.

PARTS LIST

ITEM	PART NUMBER	MATL	PART NUMBER	MATL	PART NUMBER	MATL	DESCRIPTION	QTY
	3545		3541C		3547			
2	34021	STL	34021	STL	34021	STL	Key (M10x8x70)	1
5	125753	S	125753	S	125753	S	Screw, HH Sems (M8x25)	8
8	44542	AL	44542	AL	44542	AL	Cover, Bearing (See Tech Bulletin 118)	2
9	815279	FBR	815279	FBR	815279	FBR	Shim, Split 2-PC	2
10	12398	NBR	12398	NBR	12398	NBR	O-Ring, Bearing Cover - 70D	2
11	13296	NBR	13296	NBR	13296	NBR	Seal, Oil, Crankshaft	2
15	29326	STL	29326	STL	29326	STL	Bearing, Roller	2
20	121467	TNM	121467	TNM	121467	TNM	Rod, Connecting Assembly (Incls: 21, 22, 23) [10/00]	3
21	126749	STCP R	126749	STCP R	126749	STCP R	Washer, Locking (M10)	6
22	126593	STCP R	126593	STCP R	126593	STCP R	Washer, Flat (M10)	6
23	122045	STZP	122045	STZP	122045	STZP	Screw, HH (M10x55)	3
25	29325	FCM	29325	FCM	29325	FCM	Crankshaft, Dual End	1
31	828710	PE	828710	PE	828710	PE	Protector, Cap w/Foam Gasket	1
32	43211	ABS	43211	ABS	43211	ABS	Cap, Oil Filler	1
33	14177	NBR	14177	NBR	14177	NBR	O-Ring, Oil Filler Cap - 70D	1
34	126743	STCP R	126743	STCP R	126743	STCP R	Bolt, Eye (M12x1.75) (For Lifting Pump Only)	1
37	92241	—	92241	—	92241	—	Gauge, Oil, Bubble w/Gasket	1
38	44428	NBR	44428	NBR	44428	NBR	Gasket, Flat, Oil Gauge - 80D	1
40	125753	S	125753	S	125753	S	Screw, HH Sems (M8x25)	8
48	25625	STCP	25625	STCP	25625	STCP	Plug, Drain (1/4"x19 BSP)	1
49	23170	NBR	23170	NBR	23170	NBR	O-Ring, Drain Plug - 70D	1
50	45936	AL	45936	AL	45936	AL	Cover, Rear (See Tech Bulletin 118)	1
51	16612	NBR	16612	NBR	16612	NBR	O-Ring, Crankcase Cover - 70D	1
53	44487	AL	44487	AL	44487	AL	Crankcase Assy (Incls: 34, 54) (See Tech Bulletin 118)	1
54	27488	S	27488	S	27488	S	Pin, Guide	2
56	27790	POP	27790	POP	27790	POP	Pan, Oil	1
59	92538	S	92538	S	92538	S	Screw, HHC Sems (M6x16)	2
64	43864	CM	43864	CM	43864	CM	Pin, Crosshead	3
65	† 45116	SSZZ	45116	SSZZ	† 45116	SSZZ	Rod, Plunger	3
69	126587	STCP R	126587	STCP R	126587	STCP R	Washer, Oil Seal	3
70	100488	NBRS	100488	NBRS	100488	NBRS	Seal, Oil, Crankcase	3
	44739	FPM	44739	FPM	44739	FPM	Seal, Oil, Crankcase	3
75	43865	S	43865	S	43865	S	Slinger, Barrier	3
88	45676	S	45676	S	45676	S	Washer, Keyhole (M16)	3
90	46806	CC	46806	CC	46806	CC	Plunger (M45x145)	3
95	† 89778	SS	† 89778	SS	† 89778	SS	Stud, Plunger Retainer (M10x135)	3
96	20189	PTFE	20189	PTFE	20189	PTFE	Back-up-Ring, Plunger Retainer	3
97	11345	NBR	11345	NBR	11345	NBR	O-Ring, Plunger Retainer - 70D	3
	11375	FPM	11375	FPM	11375	FPM	O-Ring, Plunger Retainer	3
	◆ 701490	EPDM	◆ 701490	EPDM	◆ 701490	EPDM	O-Ring, Plunger Retainer	3
98	44085	SS	44085	SS	44085	SS	Gasket, Retainer	3
99	† 44084	SS	† 44084	SS	† 44084	SS	Retainer, Plunger (M10)	3
100	44119	PPG	44119	PPG	44119	PPG	Retainer, Seal (See Tech Bulletin 105)	3
106	46809	NBR	—	—	—	—	Seal, LPS w/S-Spg	3
	—	—	48384	NBR	48384	NBR	Seal, LPS w/SS-Spg	3
	702013	SFTB	702013	SFTB	702013	SFTB	Seal, LPS w/SS-Spg	3
	◆ 46945	EPDM	◆ 46945	EPDM	◆ 46945	EPDM	Seal, LPS w/SS-Spg	3
107	46811	BB	48380	D	48380	D	Spacer, LPS	3
110	49482	BBCP R	48375	SS	49994	NAB	Manifold, Inlet	1
	—	—	49304	SS	—	—	Manifold, Inlet, Flushed (1/4" Flush Port)	1
112	18688	NBR	18688	NBR	18688	NBR	O-Ring, Inlet Manifold - 70D	3
	11739	FPM	11739	FPM	11739	FPM	O-Ring, Inlet Manifold	3
	◆ 701659	EPDM	◆ 701659	EPDM	◆ 701659	EPDM	O-Ring, Inlet Manifold - 70D	3
117	44585	S	44585	S	44585	S	Screw, HSH (M14x40)	4
126	46812	BB	48383	D	48383	D	Adapter, Female	3
127	46813	STGS	46813	STGS	46813	STGS	V-Packing	6
128	46814	BB	48386	SS	49319	NAB	Adapter, Male	3
141	49483	SS	49483	SS	49483	SS	Spring, Coil, Large (See Tech Bulletin 107)	3
155	17784	NBR	17784	NBR	17784	NBR	O-Ring, V-Packing Spacer - 80D	3
	20138	FPM	20138	FPM	20138	FPM	O-Ring, V-Packing Spacer - 80D	3
	◆ 701658	EPDM	◆ 701658	EPDM	◆ 701658	EPDM	O-Ring, V-Packing Spacer - 80D	3
157	49484	BB	49506	SS	49507	NAB	Spacer, V-Packing (See Tech Bulletin 107)	3
159	17784	NBR	17784	NBR	17784	NBR	O-Ring, V-Packing Spacer - 80D	3
	20138	FPM	20138	FPM	20138	FPM	O-Ring, V-Packing Spacer - 80D	3
	◆ 701658	EDPM	◆ 701658	EDPM	◆ 701658	EDPM	O-Ring, V-Packing Spacer - 80D	3
163	26143	NBR	26143	NBR	26143	NBR	O-Ring, Seat - 80D	6
	14331	FPM	14331	FPM	14331	FPM	O-Ring, Seat - 70D	6
	◆ 701660	EPDM	◆ 701660	EPDM	◆ 701660	EPDM	O-Ring, Seat	6
164	46822	S	48393	SS	48393	SS	Seat	6
166	43932	S	44108	SS	44108	SS	Valve	6
167	44109	SS	44109	SS	44109	SS	Spring, Valve	6
168	44728	PVDF	44728	PVDF	44728	PVDF	Retainer, Spring	6
170	44729	SS	44729	SS	44729	SS	Washer, Spring Retainer	6
171	44644	SS	44644	SS	44644	SS	Coil Spring (70kg), Valve Plug	6
172	89827	NBR	89827	NBR	89827	NBR	O-Ring, Valve Plug - 90D	6
	11747	FPM	11747	FPM	11747	FPM	O-Ring, Valve Plug - 90D	6
	◆ 701494	EPDM	◆ 701494	EPDM	◆ 701494	EPDM	O-Ring, Valve Plug - 70D	6
173	48364	D	48364	D	48364	D	Back-up-Ring, Valve Plug	6
174	46444	FBB	49300	SSD	49300	SSD	Plug, Valve	6
185	49486	BBCP R	49302	SSD	49309	NAB	Manifold, Discharge	1
188	89981	S	89981	S	89981	S	Screw, HSH (M12x70)	8
250	44516	NY	44516	NY	44516	NY	Protector, Shaft w/2 Screws, Washers, Lockwashers (Included w/Pump)	1
255	34018	STZP R	34018	STZP R	34018	STZP R	Kit, Direct Mount	1
	34039	S	34039	S	34039	S	Kit, Direct Mount	1
260	92674	STZP R	92674	STZP R	92674	STZP R	Mounting, Box Assy (Incls 34018)	1
275	990013	STL	990013	STL	990013	STL	Hub, B' 35mm w/Keyway [Tech Bulletin 003]	1

EXPLODED VIEW



Models
 Brass - 3545
 Stainless Steel - 3541C
 SS Flushed - 3541C
 NAB - 3547
 September 2016

ITEM	PART NUMBER	MATL	PART NUMBER	MATL	PART NUMBER	MATL	DESCRIPTION	QTY
	3545		3541		3547			
			3541C					
278	80540	STZP	80540	STZP	80540	STZP	Screw, HH (M12x100) (Rail Adjusting Screw)	1
283	34314	—	34314	—	34314	—	Kit, Oil Drain (3/8" x 48")	1
290	6124	—	6124	—	6124	—	Gasket, Liquid (3 oz.)	1
299	818428	BBCPR	818371**	SS	818575	NAB	Head, Complete w/ NBR Seals and O-Rings	1
300	33234	NBR*	33834	NBR*	33834	NBR*	Kit, Seal (Incls: 97, 106, 112, 127, 155, 159) Standard	1
	31261	FPM	31261	FPM	31261	FPM	Kit, Seal (Incls: 97, 106, 112, 127, 155, 159) .0110	1
	◆ 33223	EPDM*	◆ 33223	EPDM*	◆ 33223	EPDM*	Kit, Seal (Incls: 97, 106, 112, 127, 155, 159) .0220	1
310	33235	NBR	33835	NBR	33835	NBR	Kit, Valve, Preassembled (Incls: 163, 164, 166, 167, 168, 170, 172, 173) Standard	2
	31262	FPM	31262	FPM	31262	FPM	Kit, Valve, Preassembled (Incls: 163, 164, 166, 167, 168, 170, 172, 173) .0110	2
	◆ 31235	EPDM	◆ 31264	EPDM	◆ 31264	EPDM	Kit, Valve, Preassembled (Incls: 163, 164, 166, 167, 168, 170, 172, 173) .0220	2
—	819000	F	819000	F	819000	F	Assy, Crankcase, Cast Iron Conversion	1
—	6100	—	6100	—	6100	—	Oil, Case (12 Bottles) ISO-68 Hydraulic (Fill to specified crankcase capacity prior to start-up)	1
—	—	—	6119	—	6119	—	Lubricant, Antisizee (2 oz.)	1

Bold print part numbers are unique to a particular pump model. Italics are optional items. [] Date of latest production change. ◆ Silicone oil/grease required.

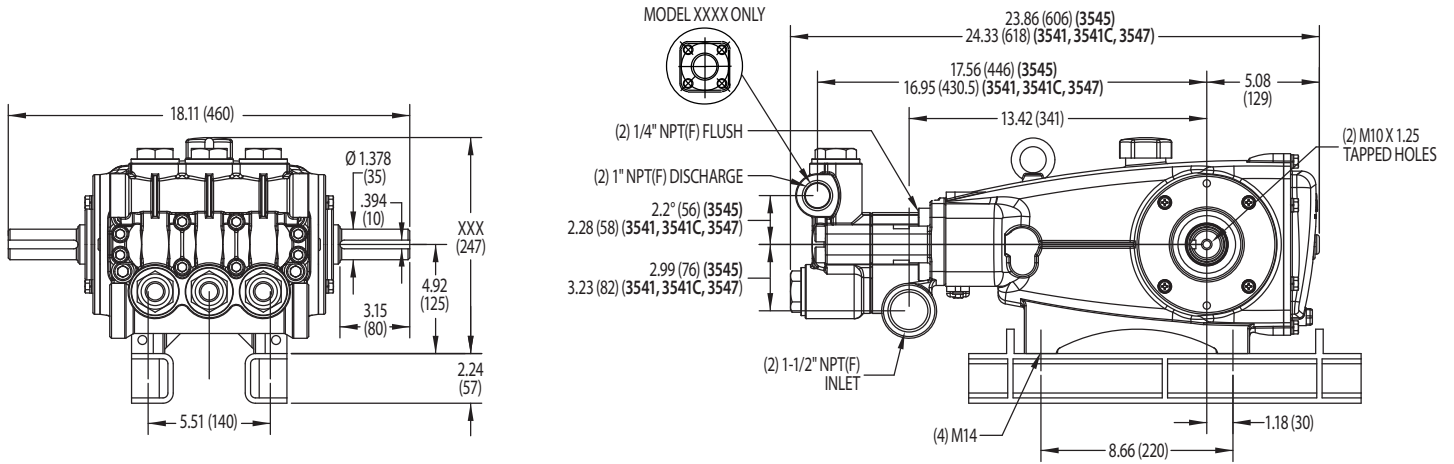
† Production parts are different than repair parts. R Components comply with RoHS Directive. * Review individual parts in each kit for material code identification. ** Complete Head for model 3541 only. See Tech Bulletins 002, 003, 024, 036, 041, 043, 053, 074, 083, 099, 105, 107, 109 and 118 for additional information.

MATERIAL CODES (Not Part of Part Number): ABS=ABS Plastic AL=Aluminum BB=Brass BBCP=Brass/Chrome Plated CC=Ceramic CM=Chrome-Moly D=Acetal

EPDM=Ethylene Propylene Diene Monomer F=Cast Iron FBB=Forged Brass FBR=Fiber FCM=Forged Chrome-moly FPM=Fluorocarbon NAB=Nickle Aluminum Bronze

NBR=Medium Nitrile (Buna-N) NBRs=Buna, Silicone Free NY=Nylon PE=Polyethylene PPG=Glass Filled Polypropylene PTFE=Pure Polytetrafluoroethylene PVDF=Polyvinylidene Fluoride

S=304SS SS=316SS SFTB=Special Blend PTFE Black SSZZ=316SS/Zamak STG=Special Blend PTFE White STL=Steel STCP=Steel/Chrome Plated STZP=Steel/Zinc Plated TNM=Special High Strength



⚠ CAUTIONS AND WARNINGS

All High Pressure Systems require a primary pressure regulating device (i.e. regulator, unloader) and a secondary pressure relief device (i.e. pop-off valve, relief valve). Failure to install such relief devices could result in personal injury or damage to pump or property. Cat Pumps does not assume any liability or responsibility for the operation of a customer’s high pressure system.

Read all CAUTIONS and WARNINGS before commencing service or operation of any high pressure system. The CAUTIONS and WARNINGS are included in each service manual and with each Accessory Data sheet. CAUTIONS and WARNINGS can also be viewed online at www.catpumps.com/cautions-warnings or can be requested directly from Cat Pumps.

WARRANTY

View the Limited Warranty on-line at www.catpumps.com/warranty.

	<p>CAT PUMPS 1681 - 94TH LANE N.E. MINNEAPOLIS, MN 55449-4324 PHONE (763) 780-5440 — FAX (763) 780-2958 e-mail: techsupport@catpumps.com www.catpumps.com</p>
---	--